

U10-3

For Earth, For Life
Kubota

Kubota Mini Excavator



The U10-3 sets the standard for all ultra-compact excavators

Spacious, comfortable, and more productive, yet it fits in the tightest spaces.

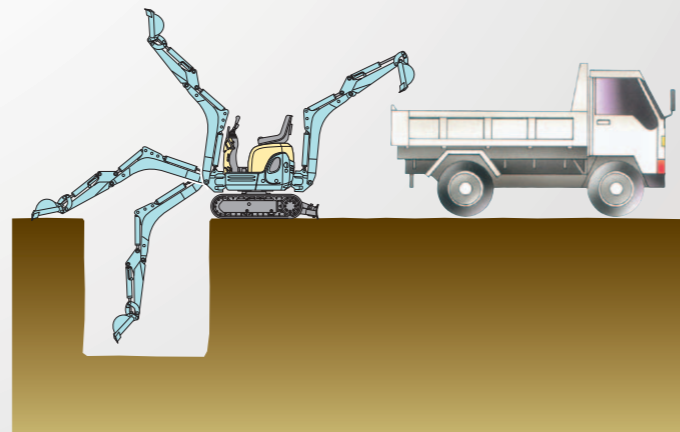
Turning radius
500mm



Working range

The U10-3's excellent reach and digging depth ensure that each digging job is performed with maximum efficiency and speed.

Max. digging depth: 1800mm
Max. digging radius: 3380mm



Zero tail swing

Zero tail swing prevents any damage from occurring to the engine cover, allowing the operator to focus more on the job at hand.

Turning radius: 500mm

Operational Performance

Boom cylinder

Located above the boom, the boom cylinder remains safe from damage during breaker or dumping operations.



Two-speed travel

Step on the high speed pedal, and you'll maneuver around job sites faster.

Travel speed (Low/High): 2.0/4.0km/h

Spacious legroom

The spacious legroom contributes to making the operator feel more at ease during operations.



Two pattern selection system

The two pattern selection system is standard equipment, allowing the operator to select familiar operating control pattern.



Kubota engine

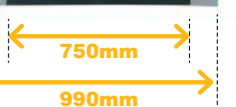
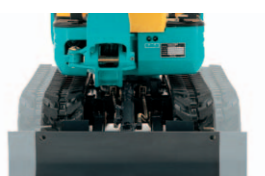
Powerful and dependable, the U10-3's diesel engine delivers superior horsepower and performance. It offers low noise and vibration levels, exceptional fuel efficiency.

Output: 7.7kW (10.3HP)



Variable track width

The U10-3 features a hydraulic track gauge that can be adjusted to between 750mm to 990mm. With the touch of a single lever, you can reduce the track gauge to navigate narrow spaces or increase it to improve functionality.



Changing the blade width is as easy as removing one pin by hand.



Easy maintenance

Full-open bonnet

A full-open bonnet and new engine layout makes daily inspection and maintenance of essential components a snap.



Two-piece dozer hose

Two-piece hose connections for the dozer simplify hose replacement, reduce downtime.



Service indicator

Individual indicators provide you of diagnostic information.



Protected front hoses

By running front hoses and service port hoses inside the boom and arm, the hoses are well protected from damage. Service port hoses are hidden inside the boom.



Anti-collision structure hood

The hood is located inside the rotating part to prevent damage by accidental collision.

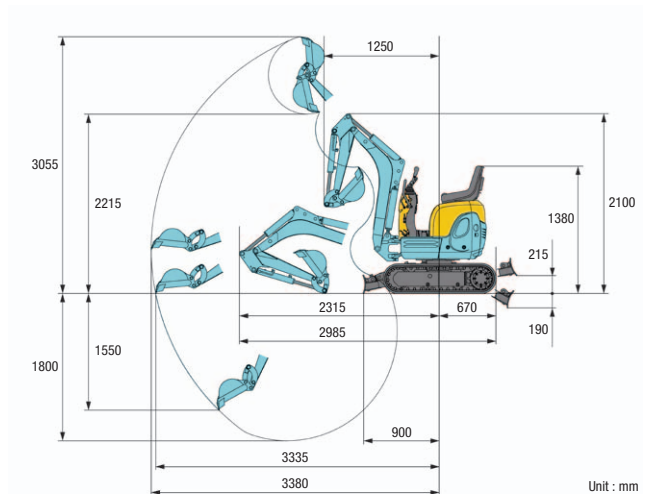
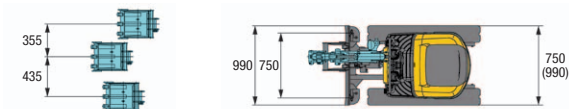


Specifications

Model		U10-3	
Bucket capacity	m ³	0.022	
Std.bucket width: (with/without cutting edge)	mm	368 / 350	
Operating weight (Including operator's weight 75kg)	kg	1055	
Dimensions (in transport condition)	Overall length	mm	2985
	Overall height	mm	1380
	Overall width	mm	750 / 990
	Min. ground clearance	mm	140
Engine	Model	Kubota D722-E3-BH6	
	Total displacement	L (cc)	0.719 (719)
	Output (SAE J1995 gross)	kW (HP)/rpm	7.7 (10.3) / 2050
Working range	Max. digging height	mm	3055
	Max. dumping height	mm	2215
	Max. digging depth	mm	1800
	Max. vertical digging depth	mm	1550
	Max. digging radius	mm	3380
	Boom swing angle (Left / Right)	degree	55 / 55
	Min. turning radius (W/o swing / With swing)	mm	1250 / 1075
	Min. tail turning radius	mm	500
Hydraulic system	Pump capacity	L/min	10.5×2 / 3.1×1
	Auxiliary hydraulic flow	L/min	21
	Max. bucket breakout force	kN (kgf)	10.4 (1060)
Track type	Rubber		
Shoe width	mm	180	
Travel section	Crawler length	mm	1340
	Tumbler distance	mm	1010
	Track gauge	mm	570 / 810
	Travel speed (Low / High)	km/h	2.0 / 4.0
	Climbing angle	degree	30
Swing speed	rpm	8.3	
Blade	Width	mm	750 / 990
	Height	mm	200
	Max. lift above ground/drop below ground	mm	215 / 190
Hydraulic pump type	2 + 1 Gear		
Swivel motor type	Orbit motor		
Travel motor type	Orbit motor		
Fuel tank capacity	L	12	
Hydraulic oil (reservoir)	L	12.5	

*The company reserves the right to change specifications without notice.

Working Range



陸機械私人有限公司
LAND EQUIPMENT PTE LTD

32 JOO KOON ROAD SINGAPORE 628985
 TEL: (65) 6862-5223 FAX: (65) 6861-5223
 E-Mail: sales@land-equipment.com.sg
 Website: <http://www.land-equipment.com.sg>